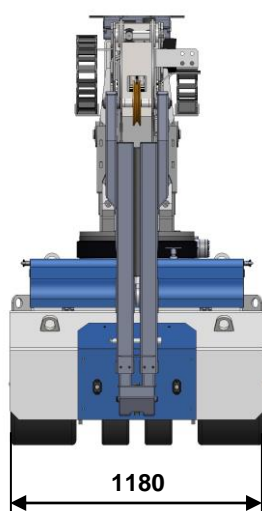
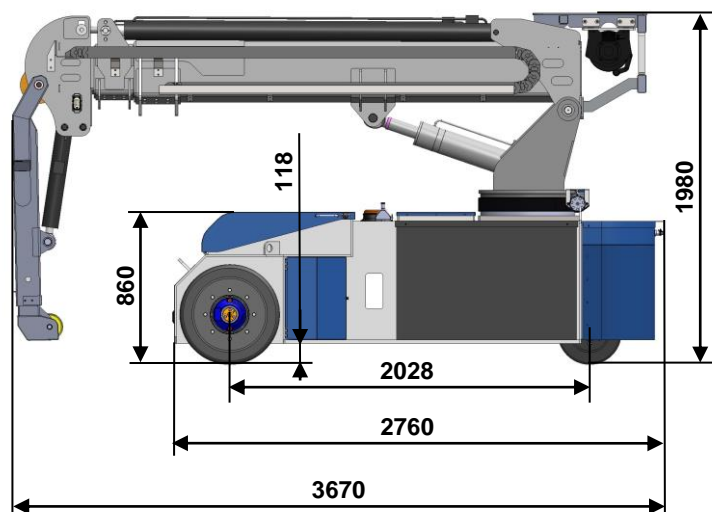


Technical sheet 40MS 4x2 R

Self-propelled, pedestrian-operated mini-crane



Fully radio controled

Technical specifications



Max. load	4000 kg
Unladen weight (in operation) (with options) ..	4800 kg
Permissible gradient (unladen)	12 %
Max translation speed	5 km/h
Adjustable lifting speed	0 à 15 cm/s
Adjustable telescoping speed	0 à 13 cm/s
Batteries	48V – 500 Ah
Pump unit 48 Vdc (3 pumps in line)	8 kW
Ø x width front wheels (mm)(2x) ...	564 x 305 mm
Ø x width rear wheels (mm)(2x)	358 x 127 mm

Standard equipment

- Anti-tipping device
- 2 hydraulic drive wheels
- Non-marking solid rubber wheels
- Hydraulic telescopic boom
- 150° hydraulic steering
- Automatic hydraulic braking
- Automatic hydraulic parking brake
- On-Board 230 V~ electronic battery charger
- Proportional radio remote control with 3 joysticks
- 2 storage compartments
- Flashing light

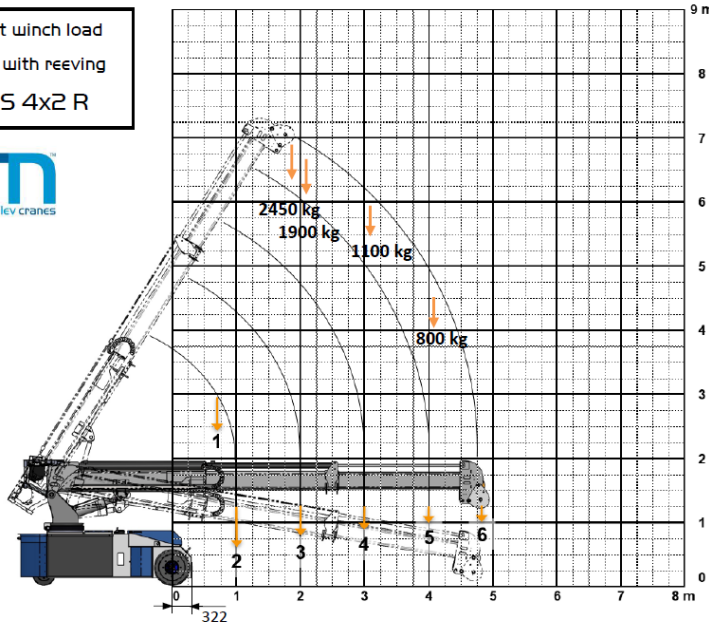
Main options

- Hydraulic winch, 1000 Kg/4000 Kg (with reeving)
- Hydraulic 18° slewing ring
- 2 positions hydraulic jib 1000/1000 kg (long version)
- Back up wired remote control with potentiometer
- Collision avoidance radars

Technical sheet 40MS 4x2 R

Self-propelled, pedestrian-operated mini-crane

Forecast winch load diagram with reeving
40MS 4x2 R



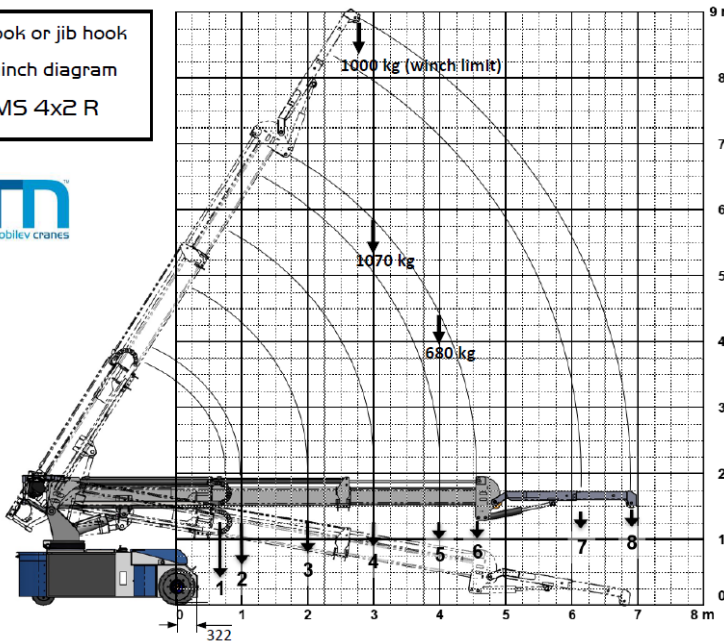
	1	2	3	4	5	6
Distance/front wheels axle (mm)	830	1075	2000	3000	4000	4850
Winch capacity (kg)	4000	3700	1890	1100	800	620

(*) Estimated values

Main hook or jib hook with winch diagram
40MS 4x2 R

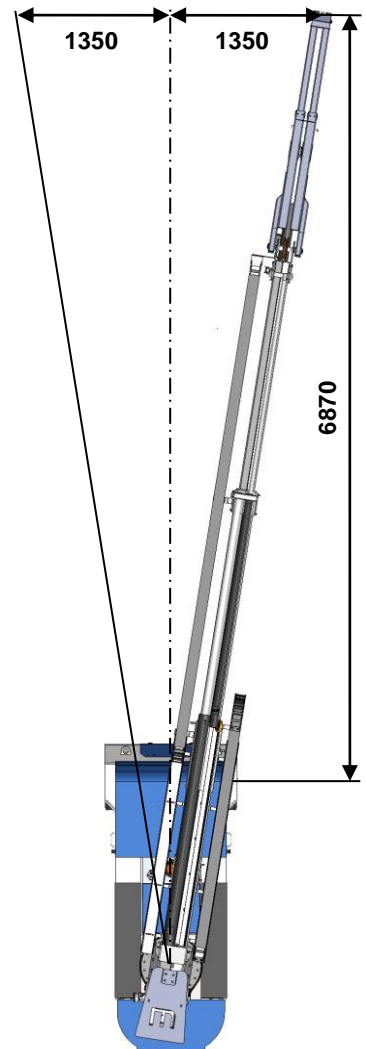


Values recorded on 07/07/2021



	1	2	3	4	5	6	7	8
Distance/front wheels axle (mm)	830	1000	2000	3000	4000	4570	6200	6900
Winch and Jib capacities (kg)	2360 (*)	2090 (*)	1450 (*)	1070 (*)	680	545	380	340

(*) Limited by maximum hydraulic pressure



18° (2x9°) hydraulic slewing ring option